

# MatchSet™ Hydraulic Latch Landing Collar with Ball Catcher

## PLUG LATCHING MECHANISM WITH BALL SEAT FOR LINER HANGER SETTING

### OVERVIEW

The MatchSet™ hydraulically activated landing collar is used when running hydraulic-set liner hangers or other hydraulic activated components run in a liner string. A setting ball lands in the ball seat allowing pressure to be applied to the hanger to set the slips. This releases the hydraulic running tool from the liner at a higher pressure prior to shearing pre-installed shear pins and removing the seat from the flow path. A retained ball-seat design prevents the sheared out cage and ball assembly from interfering with float equipment installed below the landing collar. Large milled slots provide an unrestricted flow area while cementing. Internal components are constructed of wrought aluminum and are compatible for drillout.

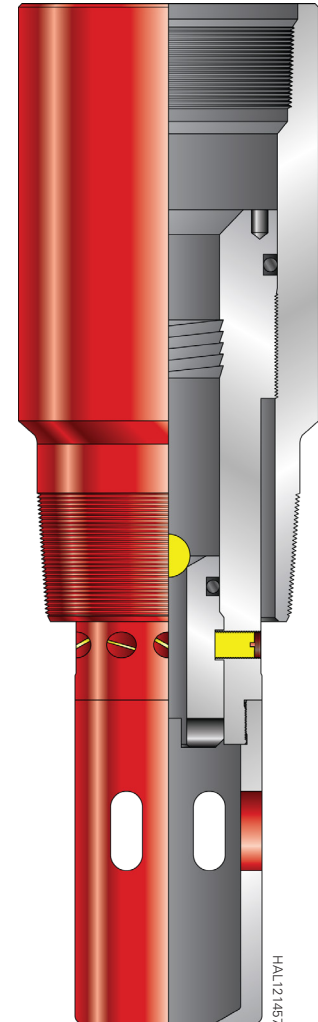
### FEATURES AND BENEFITS

- » Robust latch assembly for liner wiper
- » Standard hydrogenated nitrile rubber (HNBR) seals
- » Available with anti-wear coating

### MatchSet™ Hydraulic Latch Landing Collar with Ball Catcher Specifications

Liner Size (in.)	Material
4 1/2	L-80, P-110, and Q-125
5	
5 1/2	
7	
7 5/8	
9 5/8	

For additional sizes and material grade, please contact your Halliburton representative.



For more information, contact your local Halliburton representative or visit us on the web at [www.halliburton.com](http://www.halliburton.com)

Sales of Halliburton products and services will be in accord solely with the terms and conditions contained in the contract between Halliburton and the customer that is applicable to the sale.

H012616 8/17 © 2017 Halliburton. All Rights Reserved.